

TOOLS CATALOG

MASTER DISTRIBUTOR





















ADVANCE
COMPONENTS

advancecomponents.com 972.446.5500



TOOL SELECTION GUIDE

			BLIND RIVETS					
			STANDARD BLIND RIVETS, MULTI-GRIP, TRI-FOLDING, SPECIAL BLIND RIVETS					
			3/32" 2.4 mm	1/8" 3.2 mm	5/32" 4.0 mm	3/16" 4.8 mm	1/4" 6.4 mm	9/32" 7.5 mm
HAND	GO-2							
	GO-3							
	GO-55					AS		
	GO-360				AS	AS		
	GO-40							
	GO-25-SN							
	GO-39							
	GO-12-R							
PNEUMATIC HYDRAULIC	AIRPOWER 1							
	AIRPOWER 2							
	AIRPOWER 3							
CORDLESS	GO-100							
	GO-BR1							
	GO-100+					*	*	*
	GO-TR1					*	*	*
	GO-200							
	GO-BR2							


A: ALUMINUM / COPPER
S: STEEL
I: INOX

BLUE FIELD: RECOMMENDED WORKING RANGE (ASI)
SPECIFICS ARE INDICATED BY RELEVANT LETTERS
* = SPECIAL NOSE PIECE REQUIRED FOR SETTING

Subject to modifications



TOOL SELECTION GUIDE

			SEMI-STRUCTURAL BLIND RIVETS							
			GO-BULB II				GO-INOX II			
			1/8" 3.2 mm	5/32" 4.0 mm	3/16" 4.8 mm	.236" 6.0 mm	1/8" 3.2 mm	5/32" 4.0 mm	3/16" 4.8 mm	
HAND	GO-40									
	GO-25-SN									
	GO-12-R									
	GO-39									
PNEUMATIC HYDRAULIC	AIRPOWER 1									
	AIRPOWER 2									
	AIRPOWER 3									
CORDLESS	GO-100									
	GO-BR1									
	GO-200									
	GO-BR2									

			STRUCTURAL BLIND RIVETS							
			GO-LOCK		M-LOCK		H-LOCK	PREMIUM		
			3/16" 4.8 mm	1/4" 6.4 mm	3/16" 4.8 mm	1/4" 6.4 mm	1/4" 6.4 mm	3/16" 4.8 mm	1/4" 6.4 mm	
HAND	GO-40			AS	*	* AS	AS		AS	
	GO-25-N			AS	*	* AS	AS		AS	
	GO-12-R			A					A	
	GO-39				*	*				
PNEUMATIC HYDRAULIC	AIRPOWER 1		A					A		
	AIRPOWER 2			A					A	
	AIRPOWER 3				*	*				
CORDLESS	GO-100			A						
	GO-BR1									
	GO-200				*	*				
	GO-BR2				*	*				

A: ALUMINUM / COPPER
 S: STEEL
 I: INOX

BLUE FIELD: RECOMMENDED WORKING RANGE (ASI)
 SPECIFICS ARE INDICATED BY RELEVANT LETTERS
 * = SPECIAL NOSE PIECE REQUIRED FOR SETTING

Subject to modifications



TOOL SELECTION GUIDE

			BLIND RIVET NUTS							
			M3	M4	M5	M5	M6	M8	M10	M12
HAND	GO-35						AS			
	GO-510									AS
	GO-520									AS
			6 - 32	8 - 32	10 - 24	10 - 32	1/4" - 20	5/16" - 18	3/8" - 16	1/2" - 13
	GO-35-UN						AS			
	GO-12-N									
	GO-510-UN									AS
	GO-520-UN									AS
PNEUM. HYDR.			M3	M4	M5	M5	M6	M8	M10	M12
	AIRPOWER 4									AS
			6 - 32	8 - 32	10 - 24	10 - 32	1/4" - 20	5/16" - 18	3/8" - 16	1/2" - 13
										AS
	AIRPOWER 5									
			6 - 32	8 - 32	10 - 24	10 - 32	1/4" - 20	5/16" - 18	3/8" - 16	1/2" - 13
CORDLESS			M3	M4	M5	M5	M6	M8	M10	M12
	GO-300-UN									AS
			6 - 32	8 - 32	10 - 24	10 - 32	1/4" - 20	5/16" - 18	3/8" - 16	1/2" - 13
										AS
	GO-RN1									
			6 - 32	8 - 32	10 - 24	10 - 32	1/4" - 20	5/16" - 18	3/8" - 16	1/2" - 13
	GO-RN2									
			6 - 32	8 - 32	10 - 24	10 - 32	1/4" - 20	5/16" - 18	3/8" - 16	1/2" - 13
GO-SN1										
		6 - 32	8 - 32	10 - 24	10 - 32	1/4" - 20	5/16" - 18	3/8" - 16	1/2" - 13	





A: ALUMINUM / COPPER
 S: STEEL
 I: INOX

BLUE FIELD: RECOMMENDED WORKING RANGE (ASI)
 SPECIFICS ARE INDICATED BY RELEVANT LETTERS
 * = SPECIAL NOSE PIECE REQUIRED FOR SETTING

Subject to modifications



TOOL SELECTION GUIDE

			PIN & COLLAR			
			3/16" 4.8 mm	1/4" 6.4 mm	5/16" 8.0 mm	3/8" 9.6 mm
HAND	GO-12-P					
	GO-400					
CORDLESS	GO-LB1					

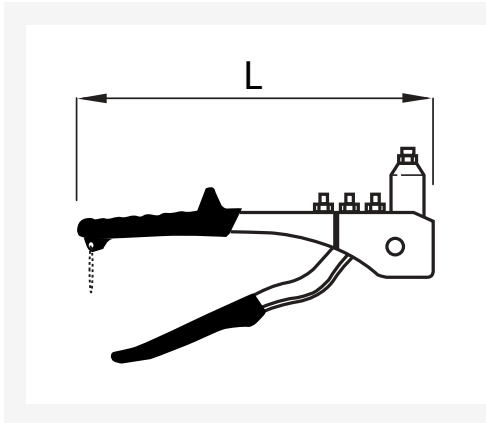
A: ALUMINUM / COPPER
 S: STEEL
 I: INOX

BLUE FIELD: RECOMMENDED WORKING RANGE (ASI)
 SPECIFICS ARE INDICATED BY RELEVANT LETTERS
 * = SPECIAL NOSE PIECE REQUIRED FOR SETTING



GO-2 - HAND RIVET TOOL

AUTOMATIC EJECTION OF RETAINED MANDREL AFTER SETTING BLIND RIVET

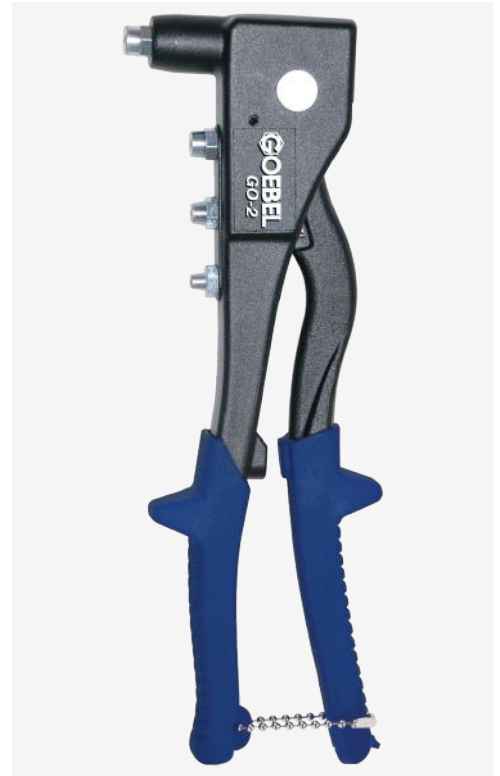


RIVETING CAPACITY FOR BLIND RIVETS

ø 3/32" up to 3/16"

ø 2.4 up to 4.8 mm

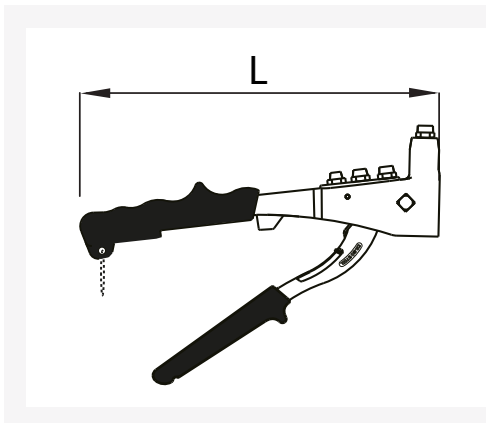
All Materials



WEIGHT	1.15 lbs	0.52 kg
LENGTH	9 - 1/2"	243 mm
EQUIPMENT	INCLUDES FOUR MOUNTED NOSEPIECES (3/32", 1/8", 5/32", 3/16") AND A SERVICE WRENCH	2.4, 3.2, 4.0, 4.8 mm
MATERIAL	HIGH STRENGTH ALUMINUM BODY WITH FORGED STEEL UPPER HANDLE	
ITEM CODE	22900 00020	

GO-3 - HAND RIVET TOOL

AUTOMATIC EJECTION OF RETAINED MANDREL AFTER SETTING BLIND RIVET



RIVETING CAPACITY FOR BLIND RIVETS

ø 3/32" up to 3/16"

ø 2.4 up to 4.8 mm

All Materials



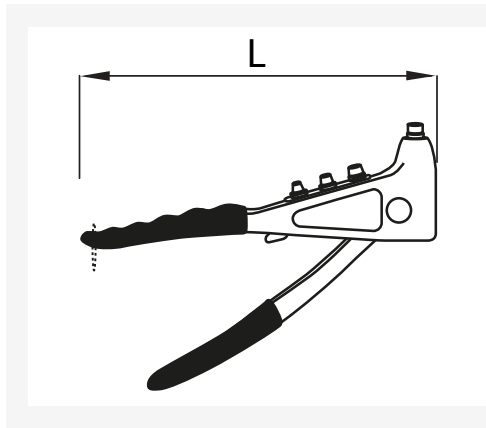
WEIGHT	1.32 lbs	0.60 kg
LENGTH	10 - 1/4"	260 mm
EQUIPMENT	INCLUDES FOUR MOUNTED NOSEPIECES (3/32", 1/8", 5/32", 3/16") AND A SERVICE WRENCH	2.4, 3.2, 4.0, 4.8 mm
MATERIAL	HIGH STRENGTH ALUMINUM BODY WITH FORGED CR-MO STEEL UPPER HANDLE	
ITEM CODE	22900 00030	

Subject to modifications



GO-55 - HAND RIVET TOOL

AUTO HOLD DESIGN KEEPS MANDREL GRIPPED IN ANY POSITION



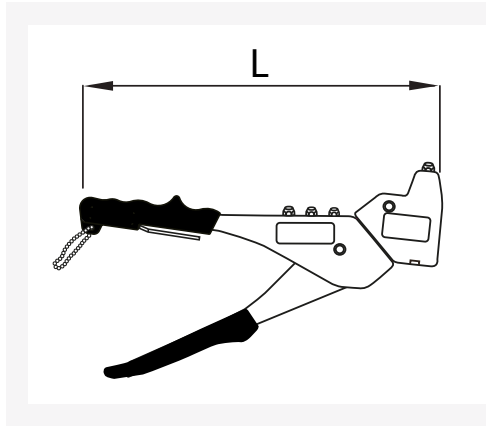
RIVETING CAPACITY FOR BLIND RIVETS
 ø 3/32" up to 5/32"
 ø 2.4 up to 4.0 mm
All Materials
 ø 3/16"
 ø 4.8 mm
 Aluminum / Steel



WEIGHT	1.17 lbs	0.53 kg
LENGTH	9 - 1/4"	235 mm
EQUIPMENT	INCLUDES FOUR MOUNTED NOSEPIECES (3/32", 1/8", 5/32", 3/16") AND A SERVICE WRENCH	2.4, 3.2, 4.0, 4.8 mm
MATERIAL	HIGH STRENGTH ALUMINUM BODY WITH FORGED STEEL UPPER HANDLE	
ITEM CODE	22900 00550	

GO-360 - HAND RIVET TOOL

360° SWIVEL RATCHET HEAD - AUTOMATIC EJECTION OF RETAINED MANDREL AFTER SETTING BLIND RIVET



RIVETING CAPACITY FOR BLIND RIVETS
 ø 3/32" up to 1/18"
 ø 2.4 up to 3.2 mm
All Materials
 ø 5/32"
 ø 4.0 mm
 Aluminum / Steel
 ø 3/16"
 ø 4.8 mm
 Aluminum



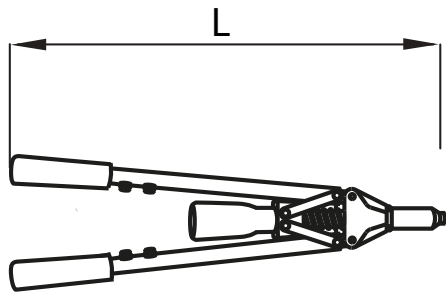
WEIGHT	1.57 lbs	0.71 kg
LENGTH	11 - 7/16"	290 mm
EQUIPMENT	INCLUDES FOUR MOUNTED NOSEPIECES (3/32", 1/8", 5/32", 3/16") AND A SERVICE WRENCH	2.4, 3.2, 4.0, 4.8 mm
MATERIAL	HIGH STRENGTH ALUMINUM HEAD AND BODY WITH HEAVY-DUTY STEEL UPPER HANDLE	
ITEM CODE	22900 03600	

Subject to modifications



GO-40 - HEAVY DUTY LEVER TYPE HAND RIVET TOOL

HIGH LEVERAGE DESIGN TO REDUCE GRIP FORCE PRESSURE - INCLUDES SPENT MANDREL CONTAINER



RIVETING CAPACITY FOR BLIND RIVETS

ø 1/8" up to 1/4"
ø 3.2 up to 6.4 mm

All Materials

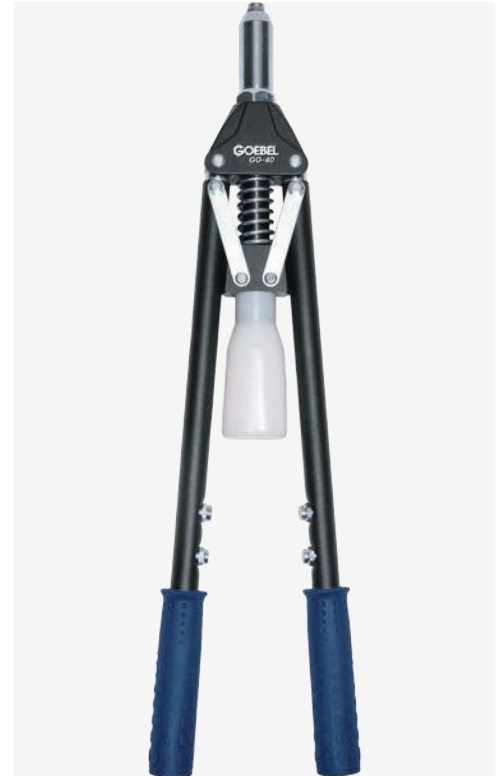
FOR STRUCTURAL BLIND RIVETS

ø 3/16"
ø 4.8 mm

All Materials

ø .236", 1/4"
ø 6.0, 6.4 mm

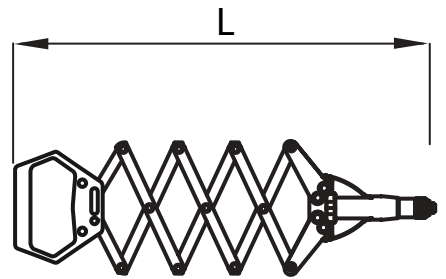
Aluminum / Steel



WEIGHT	3.77 lbs	1.71 kg
LENGTH	21"	533 mm
EQUIPMENT	INCLUDES FIVE STANDARD NOSEPIECES (1/8", 5/32", 3/16", .236", 1/4") AND SERVICE WRENCH	3.2, 4.0, 4.8, 6.0, 6.4 mm
MATERIAL	ROBUST STRUCTURE WITH HIGH STRENGTH ALUMINUM BODY & LARGE STEEL HANDLES	
ITEM CODE	22900 00400	

GO-25-SN - HEAVY DUTY LAZY TONG RIVET TOOL

4-JOINTED SLIDE BLOCK BEARING DESIGN REDUCES MANUAL EXERTION



RIVETING CAPACITY FOR BLIND RIVETS

ø 1/8" up to 1/4"
ø 3.2 up to 6.4 mm

All Materials

FOR STRUCTURAL BLIND RIVETS

ø 3/16"
ø 4.8 mm

All Materials

ø .236", 1/4"
ø 6.0, 6.4 mm

Aluminum / Steel



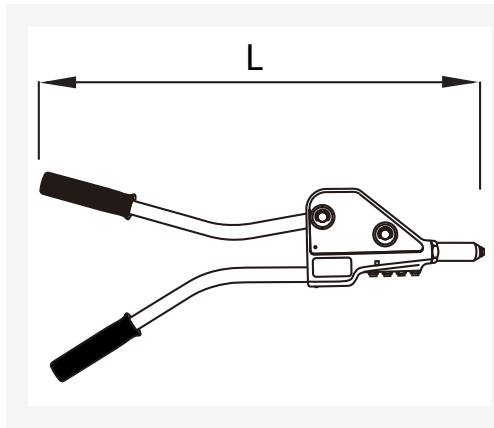
WEIGHT	4.28 lbs	1.94 kg
LENGTH	(CLOSED) 12 - 5/8" / (OPENED) 32 - 1/4"	320 / 820 mm
EQUIPMENT	INCLUDES FIVE STANDARD NOSEPIECES (1/8", 5/32", 3/16", .236", 1/4")	3.2, 4.0, 4.8, 6.0, 6.4 mm
MATERIAL	HIGH STRENGTH ALUMINUM BODY AND HANDLE	
ITEM CODE	22900 00250	

Subject to modifications



GO-39 - SUPER HEAVY DUTY HAND RIVET TOOL

HIGH LEVERAGE 3-GEAR SYSTEM DESIGN SIGNIFICANTLY REDUCES GRIP FORCE PRESSURE



RIVETING CAPACITY FOR BLIND RIVETS

- ∅ 5/32" up to 1/4"
- ∅ 4.0 up to 6.4 mm

All Materials

FOR STRUCTURAL BLIND RIVETS

- ∅ 3/16" up to 1/4"
- ∅ 4.8 up to 6.4 mm

All Materials

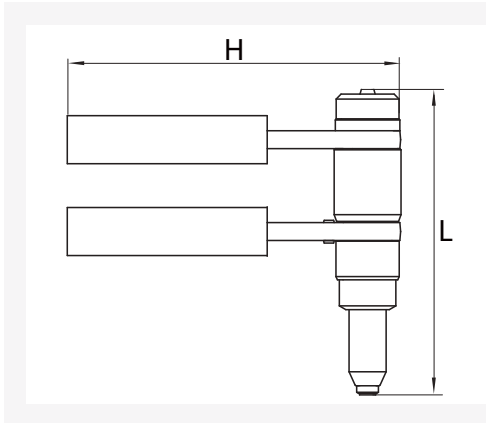


WEIGHT	3.92 lbs	1.78 kg
LENGTH	22"	560 mm
EQUIPMENT	INCLUDES THREE STANDARD NOSEPIECES (5/32", 3/16", 1/4") PLUS TWO MONOBOLT® NOSEPIECES (3/16", 1/4") AND A SERVICE WRENCH	4.0, 4.8, 6.4 mm 4.8, 6.4 mm
MATERIAL	HIGH STRENGTH 1-PIECE ALUMINUM BODY & LARGE STEEL HANDLES	
ITEM CODE	22900 00390	

Subject to modifications



GO-12-R SET - HAND RATCHET TOOL FOR BLIND RIVETS



RIVETING CAPACITY FOR BLIND RIVETS

ø 3/32" up to 1/4"

ø 2.4 up to 6.4 mm

All Materials



WEIGHT	2.32 lbs	1.05 kg
L x H	7.28" x 8.15"	185 x 207 mm
EQUIPMENT	INCLUDES FIVE STANDARD NOSEPIECES (1/8", 5/32", 3/16", .236", 1/4") AND JAWS	3.0/3.2, 4.0, 4.8/5.0, 6.0, 6.4 mm
MATERIAL	FORGED STEEL	
ITEM CODE	22450 00200	



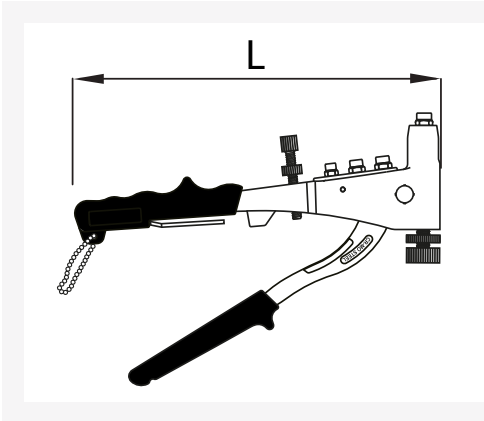
OPTIONAL PARTS

NOSE PIECES	3/32"	2.4 mm
--------------------	-------	--------



GO-35 - HAND RIVET NUT TOOL

FEATURES QUICK CHANGE THREADED MANDRELS & SINGLE STROKE ADJUSTMENT FUNCTION



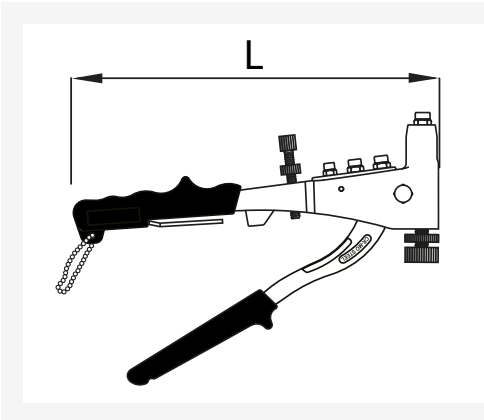
RIVETING CAPACITY FOR BLIND RIVET NUTS
 M3 - M5
 All Materials
 M6
 Aluminum / Steel



WEIGHT	1.50 lbs	0.68 kg
LENGTH	10 - 1/4"	260 mm
EQUIPMENT	INCLUDES FOUR THREADED MANDRELS (M3 - M6) AND A SERVICE WRENCH	
MATERIAL	HIGH STRENGTH ALUMINUM BODY WITH FORGED CR-MO STEEL ALLOY UPPER HANDLE	
ITEM CODE	22900 00350	

GO-35-UN - HAND RIVET NUT TOOL

FEATURES QUICK CHANGE THREADED MANDRELS & SINGLE STROKE ADJUSTMENT FUNCTION



RIVETING CAPACITY FOR BLIND RIVET NUTS
 6 - 32 ~ 10 - 24, 10 - 32
 All Materials
 1/4" - 20
 Aluminum / Steel



WEIGHT	1.50 lbs	0.68 kg
LENGTH	10 - 1/4"	260 mm
EQUIPMENT	INCLUDES FIVE THREADED MANDRELS (6-32, 8-32, 10-24, 10-32, 1/4-20) AND A SERVICE WRENCH	
MATERIAL	HIGH STRENGTH ALUMINUM BODY WITH FORGED CR-MO STEEL ALLOY UPPER HANDLE	
ITEM CODE	22900 00351	

Subject to modifications



GO-510 - HEAVY DUTY HAND RIVET NUT TOOL

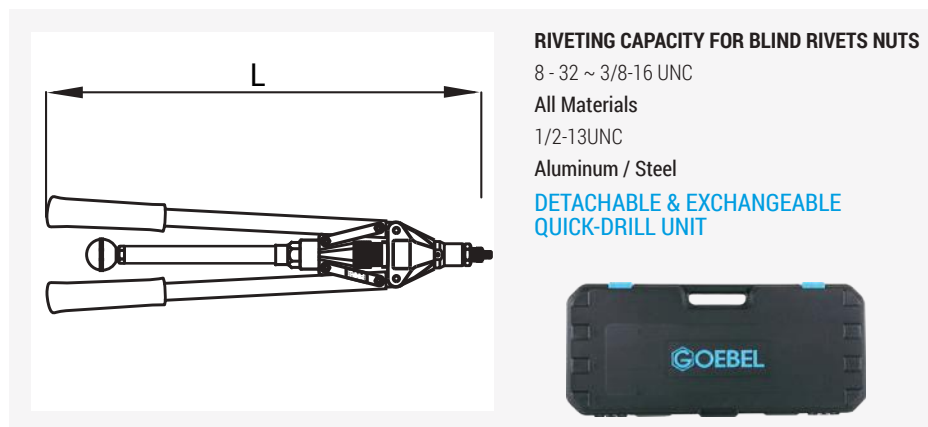
HIGH LEVERAGE DESIGN REDUCES GRIP FORCE PRESSURE & INCREASES RIVETING POWER



WEIGHT	4.61 lbs	2.09 kg
LENGTH	20 - 7/8"	530 mm
ABS CASE	23 - 1/4" x 10 - 5/8" x 2 - 3/8"	590 x 270 x 60 mm
EQUIPMENT	INCLUDES FIVE THREADED MANDRELS (M5 - M12) PLUS FIVE NOSEPIECES (M5 - M12) AND A SERVICE WRENCH	
MATERIAL	HIGH STRENGTH ALUMINUM BODY & LARGE STEEL HANDLES	
ITEM CODE	22900 05100	

GO-510-UN - HEAVY DUTY HAND RIVET NUT TOOL

HIGH LEVERAGE DESIGN REDUCES GRIP FORCE PRESSURE & INCREASES RIVETING POWER



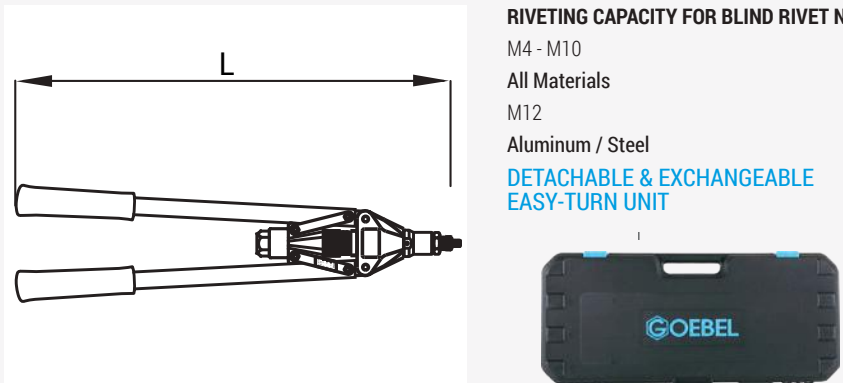
WEIGHT	4.61 lbs	2.09 kg
LENGTH	20 - 7/8"	530 mm
ABS CASE	23 - 1/4" x 10 - 5/8" x 2 - 3/8"	590 x 270 x 60 mm
EQUIPMENT	INCLUDES SIX THREADED MANDRELS (10-24 ~ 1/2-13) PLUS FIVE NOSEPIECES (#10, 1/4", 5/16", 3/8", 1/2") AND A SERVICE WRENCH	
MATERIAL	HIGH STRENGTH ALUMINUM BODY & LARGE STEEL HANDLES	
ITEM CODE	22900 05101	

Subject to modifications



GO-520 - HEAVY DUTY HAND RIVET NUT TOOL

HIGH LEVERAGE DESIGN REDUCES GRIP FORCE PRESSURE & INCREASES RIVETING POWER



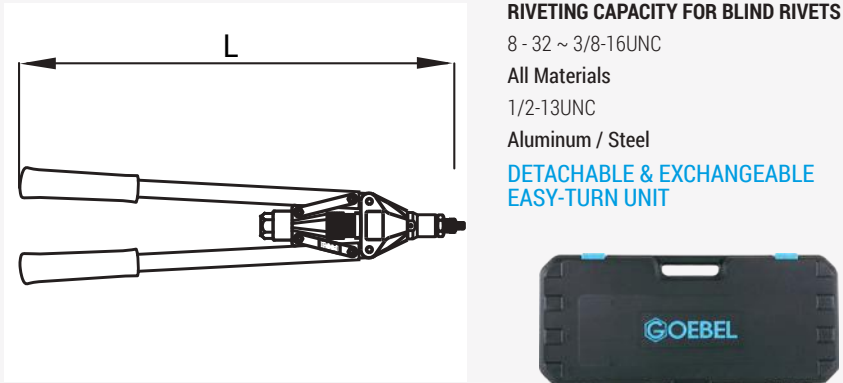
RIVETING CAPACITY FOR BLIND RIVET NUTS
 M4 - M10
 All Materials
 M12
 Aluminum / Steel
DETACHABLE & EXCHANGEABLE EASY-TURN UNIT



WEIGHT	4.61 lbs	2.09 kg
LENGTH	20 - 7/8"	530 mm
ABS CASE	23 - 1/4" x 10 - 5/8" x 2 - 3/8"	590 x 270 x 60 mm
EQUIPMENT	INCLUDES FIVE THREADED MANDRELS (M5 - M12) PLUS FIVE NOSEPIECES (M5 - M12) AND A SERVICE WRENCH	
MATERIAL	HIGH STRENGTH ALUMINUM BODY & LARGE STEEL HANDLES	
ITEM CODE	22900 05200	

GO-520-UN - HEAVY DUTY HAND RIVET NUT TOOL

HIGH LEVERAGE DESIGN REDUCES GRIP FORCE PRESSURE & INCREASES RIVETING POWER



RIVETING CAPACITY FOR BLIND RIVETS NUTS
 8 - 32 ~ 3/8-16UNC
 All Materials
 1/2-13UNC
 Aluminum / Steel
DETACHABLE & EXCHANGEABLE EASY-TURN UNIT

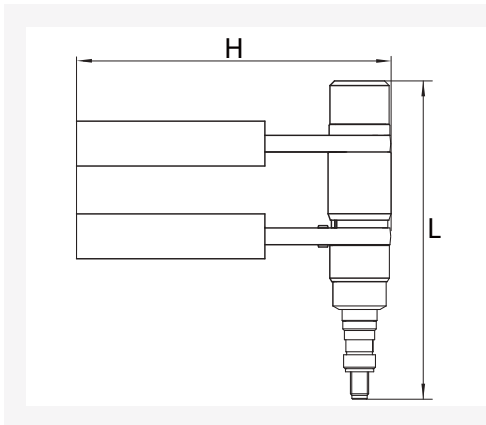


WEIGHT	4.61 lbs	2.09 kg
LENGTH	20 - 7/8"	530 mm
ABS CASE	23 - 1/4" x 10 - 5/8" x 2 - 3/8"	590 x 270 x 60 mm
EQUIPMENT	INCLUDES SIX THREADED MANDRELS (10-24 ~ 1/2-13) PLUS FIVE NOSEPIECES (#10, 1/4", 5/16", 3/8", 1/2") AND A SERVICE WRENCH	
MATERIAL	HIGH STRENGTH ALUMINUM BODY & LARGE STEEL HANDLES	
ITEM CODE	22900 05201	

Subject to modifications



GO-12-N SET - HAND RATCHET TOOL FOR BLIND RIVET NUTS



RIVETING CAPACITY FOR BLIND RIVET NUTS

6-32 UNC up to 1/2-13 UNC

All Materials



WEIGHT	2.51 lbs	1.14 kg
L x H	8.27" x 8.15"	210 x 207 mm
EQUIPMENT	INCLUDES MANDRELS AND ANVILS (10-24 UNC, 10-32 UNF, 1/4-20 UNC, 5/16-18 UNC, 3/8-16 UNC, 1/2-13 UNC)	
MATERIAL	FORGED STEEL	
ITEM CODE	22450 01100	



OPTIONAL PARTS

MANDRELS AND ANVILS	6-32 ~ 1/2-13	M3 ~ M12
RIVBOLT PULLERS	6-32 ~ 5/16-18	M3 ~ M8

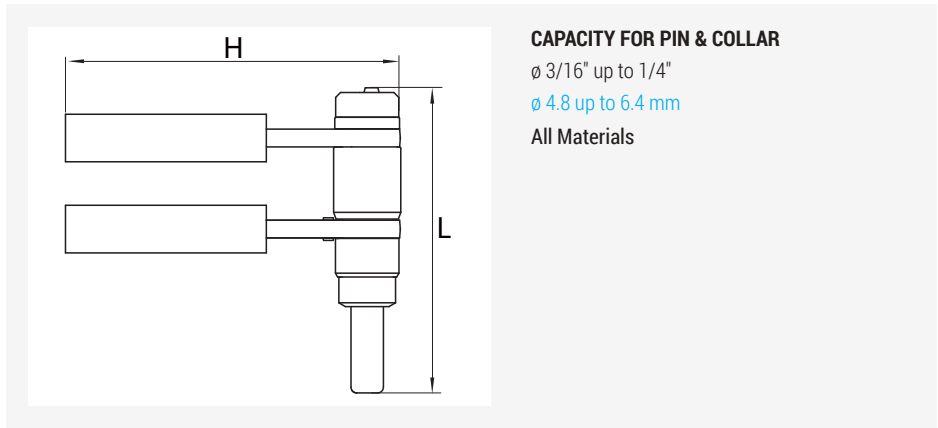


METRIC EQUIPMENT SET

MANDRELS & ANVILS	M5, M6, M8, M10, M12
ITEM CODE	22700 00218

Subject to modifications

GO-12-P SET - HAND RATCHET TOOL FOR PIN & COLLAR



WEIGHT	2.43 lbs	1.1 kg
L x H	7.32" x 8.15"	186 x 207 mm
EQUIPMENT	INCLUDES NOSEPIECE FOR 1/4" (ACCORDING TO "C6L" - STANDARD)	6.4 mm
MATERIAL	FORGED STEEL	
ITEM CODE	22450 00300	



OPTIONAL PARTS

NOSE PIECES (*ACCORDING "C6L"-STANDARD)	3/16"	4.8 mm
ITEM CODE	2266000110	



OPTIONAL PARTS

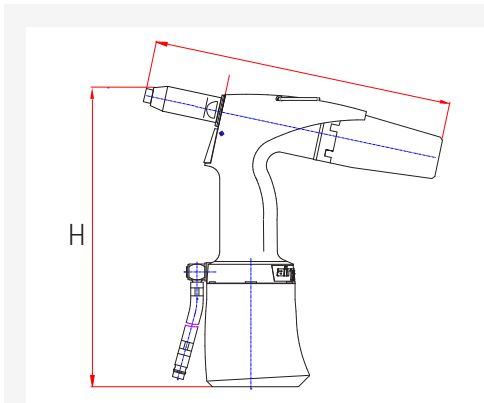
NOSE PIECES (*ACCORDING "MULTI-GRIP"-STANDARD)	3/16"	4.8 mm
ITEM CODE	2266000109	

NOSE PIECES (*ACCORDING "MULTI-GRIP"-STANDARD)	1/4"	6.4 mm
ITEM CODE	2266000108	

Subject to modifications



AIRPOWER 1 - PNEUMATIC/HYDRAULIC BLIND RIVET SETTING TOOL



RIVETING CAPACITY FOR BLIND RIVETS

ø 3/32" up to 3/16"

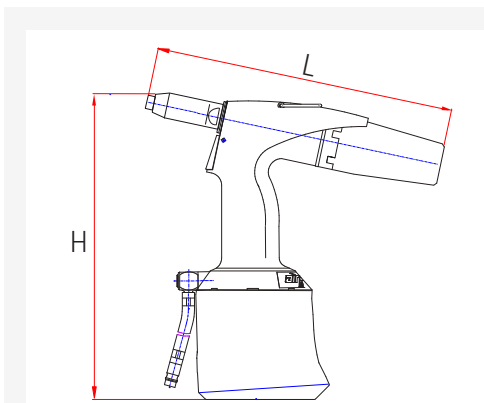
ø 2.4 up to 4.8 mm

All Materials

WEIGHT	2.76 lbs	1.25 kg
L x H	10.71" x 10.39"	272 x 264 mm
EQUIPMENT	INCLUDES THREE MOUNTED NOSEPIECES (1/8", 5/32", 3/16") AND A SERVICE WRENCH	
STROKE	0.67"	17 mm
PULLING FORCE	1641 (@ 87 psi)	7.3 kn (@ 6.0 bar)
WORKING AIR PRESSURE	72.5 - 100 psi	5 - 7 bar
MATERIAL	ABS	
ITEM CODE	22441 00001	



AIRPOWER 2 - PNEUMATIC/HYDRAULIC BLIND RIVET SETTING TOOL



RIVETING CAPACITY FOR BLIND RIVETS NUTS

ø 5/32" up to 1/4"

ø 4.0 up to 6.4 mm

All Materials

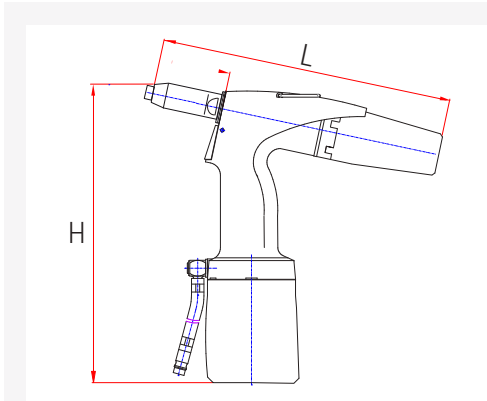
WEIGHT	3.64 lbs	1.65 kg
L x H	10.71" x 10.83"	272 x 275 mm
EQUIPMENT	INCLUDES FOUR MOUNTED NOSEPIECES (5/32", 3/16", .236", 1/4") AND A SERVICE WRENCH	
STROKE	0.83"	21 mm
PULLING FORCE	2810 (@ 87 psi)	12.5 kn (@ 6.0 bar)
WORKING AIR PRESSURE	72.5 - 100 psi	5 - 7 bar
MATERIAL	ABS	
ITEM CODE	22441 00002	



Subject to modifications



AIRPOWER 3 - PNEUMATIC/HYDRAULIC SETTING TOOL FOR STRUCTURAL BLIND RIVETS



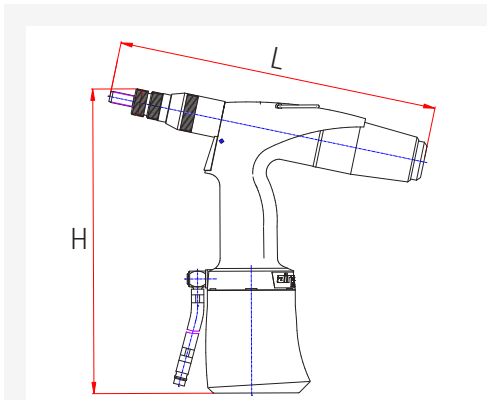
RIVETING CAPACITY FOR BLIND RIVETS

ø 3/16" up to 1/4"
 ø 4.8 up to 6.4 mm
 All Materials



WEIGHT	4.41 lbs	2.0 kg
L x H	11.10" x 11.58"	282 x 294 mm
EQUIPMENT	INCLUDES TWO MOUNTED NOSEPIECES (3/16", 1/4") AND A SERVICE WRENCH	
STROKE	1.1"	28 mm
PULLING FORCE	3709 (@ 87 psi)	16.5 kn (@ 6.0 bar)
WORKING AIR PRESSURE	72.5 - 100 psi	5 - 7 bar
MATERIAL	ABS	
ITEM CODE	22441 00003	

AIRPOWER 4 - PNEUMATIC/HYDRAULIC SETTING TOOL FOR BLIND RIVET NUTS AND BOLTS



RIVETING CAPACITY FOR BLIND RIVET NUTS

6-32 to 3/8 UNC
 All Materials
 6-32 to 1/2-13 UNC
 Aluminium/ Steel

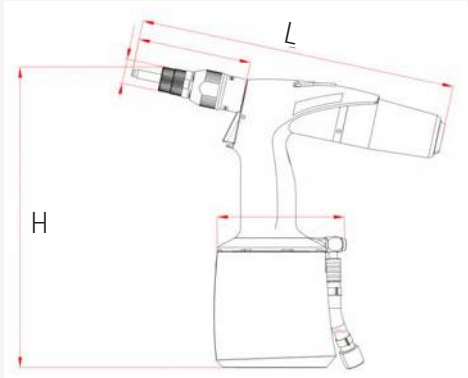


WEIGHT	3.64 lbs	1.65 kg
L x H	11.10" x 10.63"	285 x 270 mm
EQUIPMENT	INCLUDES FIVE THREADED MANDRELS (6-32, 8-32, 10-24, 10-32, 1/4-20 UNC) AND A SERVICE WRENCH	
STROKE	0.28"	7 mm
PULLING FORCE	4204 lbf (@ 87 psi)	18.7 kn (@ 6.0 bar)
WORKING AIR PRESSURE	80-100 psi	5 - 7 bar
MATERIAL	ABS	
ITEM CODE	22441 00004	

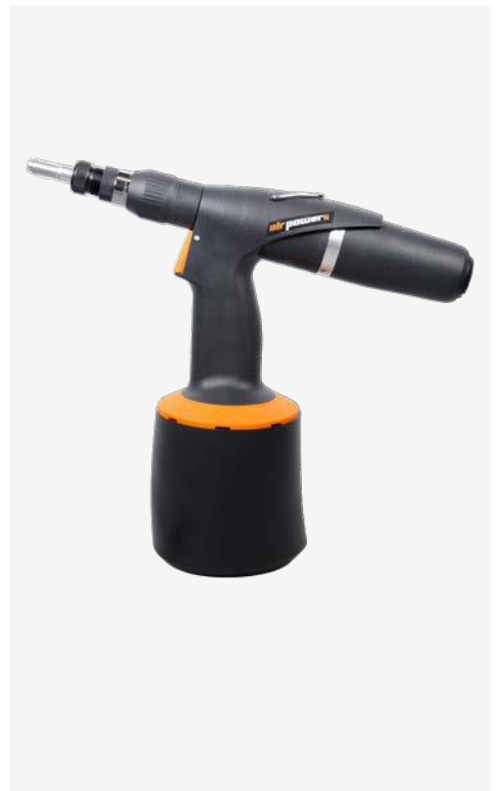
Subject to modifications



AIRPOWER 5 - PNEUMATIC/HYDRAULIC SETTING TOOL FOR BLIND RIVET NUTS AND BOLTS



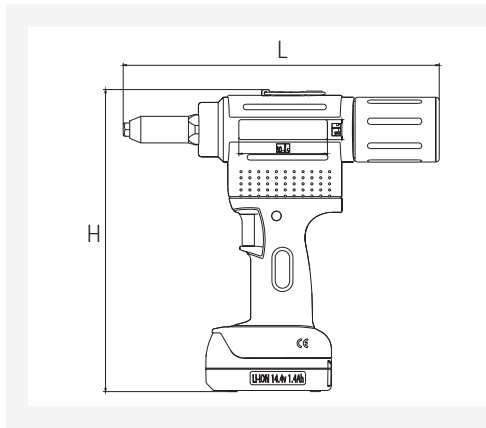
RIVETING CAPACITY FOR BLIND RIVET NUTS
1/4-20 to 1/2-13 UNC
All Materials



WEIGHT	4.91 lbs	2.23 kg
L x H	11.41" x 11.02"	290 x 280 mm
EQUIPMENT	INCLUDES FOUR THREADED MANDRELS (1/4-20, 5/16-18, 3/8-16, 1/2-13 UNC) AND A SERVICE WRENCH	
STROKE	0.315"	8 mm
PULLING FORCE	6070 lbf (@ 87 psi)	27 kn (@ 6.0 bar)
WORKING AIR PRESSURE	80 - 100 psi	5 - 7 bar
MATERIAL	ABS	
ITEM CODE	22441 00050	



GO-100 - LITHIUM-ION CORDLESS RIVET TOOL



RIVETING CAPACITY FOR BLIND RIVETS
 ø 3/32" up to 3/16"
 ø 2.4 up to 4.8 mm
 All Materials



WEIGHT	3.75 lbs	1.7 kg
L x H	10.75" x 11.22"	273 x 285 mm
STROKE	0.80"	20 mm
PULLING FORCE	2698 lbf	12.0 kn
MATERIAL	PE	
ITEM CODE	22660 10101	



INCLUDED EQUIPMENT SET

NOSE PIECES	3/32", 1/8", 5/32", 3/16"	2.4, 3.2, 4.0, 4.8 mm
QUICK CHANGE BATTERY	Li-Ion 14.4 V / 1.4 Ah	
CHARGER	14.4 V Li-Ion	
ABS CASE	1.48' x 1.15' x .36'	45 x 35 x 11 cm

Subject to modifications



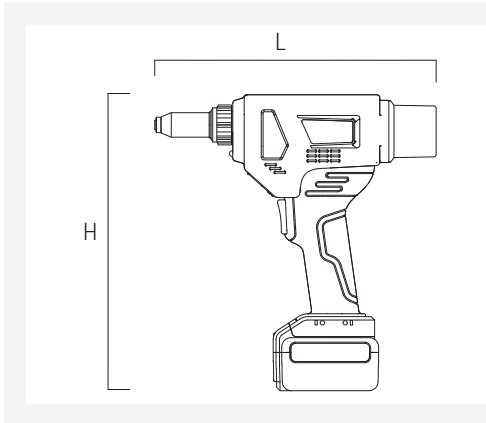
18V



BRUSHLESS MOTOR



GO-BR1 LITHIUM-ION CORDLESS RIVET TOOL



RIVETING CAPACITY FOR BLIND RIVETS

∅ 1/8" up to 3/16"
∅ 3.2 up to 4.8 mm
All Materials



WEIGHT	3.08 lbs	1.4 kg
WEIGHT INCL. BATTERY		
L x H	9.72" x 9.84"	247 x 250 mm
STROKE (B / S)	B = 0.83" / S = 0.59"	(B = 26 mm / S = 18 mm)
PULLING FORCE	2698 lbf	12.0 kn
MATERIAL		PE
ITEM CODE		22770 10010



INCLUDED EQUIPMENT SET

NOSE PIECES	1/8", 5/32", 3/16"	3.2, 4.0, 4.8 mm
QUICK CHANGE BATTERY		Li-Ion 18 V / 2.0 Ah
CHARGER		18 V Li-Ion
ABS CASE	1.24" x 0.98" x .26"	38 x 30 x 8 cm



40 YEARS QUALITY

18V



BRUSHLESS MOTOR



GO-BR1 LITHIUM-ION CORDLESS RIVET TOOL



3.08 lbs

1 YEAR WARRANTY

WEAR SAFETY GLASSES

LIGHT DESIGN

COMPACT

LED LIGHT

LI-ION

DELIVERED WITH:



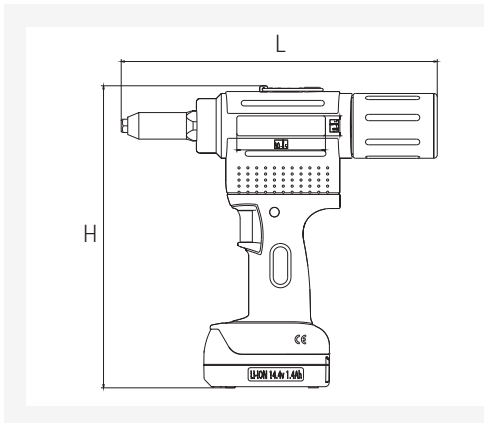
WATCH VIDEO HERE:



Subject to modifications



GO-100+ - LITHIUM-ION CORDLESS RIVET TOOL



**RIVETING CAPACITY
FOR TRIPLE CLAW BLIND RIVETS**
 ø 3/16", 1/4", 9/32"
 ø 5.2, 6.4, 7.5 mm
 Aluminum



WEIGHT	3.75 lbs	1.7 kg
L x H	10.75" x 11.22"	273 x 285 mm
STROKE	0.80"	20 mm
PULLING FORCE	2698 lbf	12.0 kn
MATERIAL	PE	
ITEM CODE	22660 12101	



INCLUDED EQUIPMENT SET

NOSE PIECES	3/16", 1/4", 9/32"	5.2, 6.4, 7.5 mm
QUICK CHANGE BATTERY	Li-Ion 14.4 V / 1.4 Ah	
CHARGER	14.4 V Li-Ion	
ABS CASE	1.48" x 1.15" x .36"	45 x 35 x 11 cm



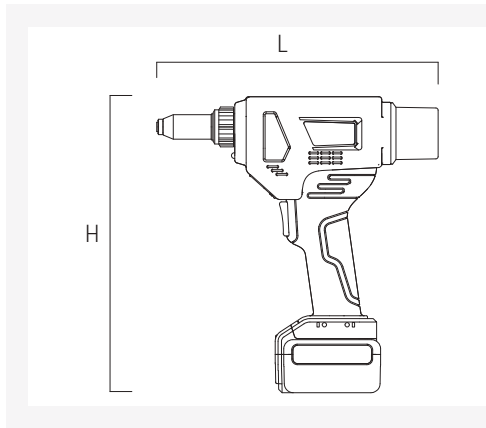
18V



BRUSHLESS MOTOR



GO-TR1 LITHIUM-ION CORDLESS RIVET TOOL



RIVETING CAPACITY FOR TRIPLE CLAW BLIND RIVETS
ø 3/16", 1/4", 9/32"
ø 5.2, 6.4, 7.5 mm
Aluminum



WEIGHT WEIGHT INCL. BATTERY	3.08 lbs	1.4 kg
L x H	9.72" x 9.84"	247 x 250 mm
STROKE (B / S)	(B = 1.02" / S = 0.71")	(B = 26 mm / S = 18 mm)
PULLING FORCE	2698 lbf	12.0 kn
MATERIAL		PE
ITEM CODE		22770 20010



INCLUDED EQUIPMENT SET

NOSE PIECES	3/16", 1/4", 9/32"	5.2, 6.4, 7.5 mm
QUICK CHANGE BATTERY		Li-Ion 18 V / 2.0 Ah
CHARGER		18 V Li-Ion
ABS CASE	1.24" x 0.98" x .26"	38 x 30 x 8 cm

Subject to modifications



GO-TR1 LITHIUM-ION CORDLESS RIVET TOOL



DELIVERED WITH:

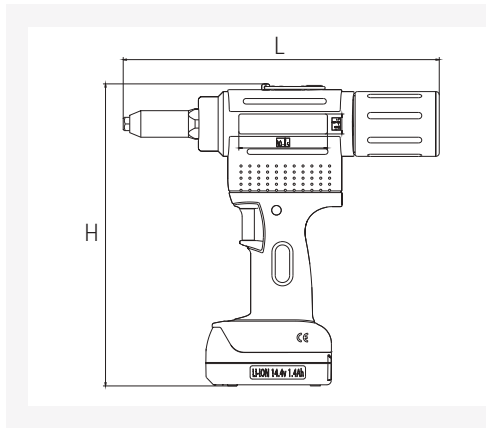


WATCH VIDEO HERE:





GO-200 - LITHIUM-ION CORDLESS RIVET TOOL



RIVETING CAPACITY FOR BLIND RIVETS
 ø 5/32" up to 1/4"
 ø 4.0 up to 6.4 mm
 All Materials



WEIGHT	3.75 lbs	1.7 kg
L x H	10.75" x 11.22"	273 x 285 mm
STROKE	1.06"	27 mm
PULLING FORCE	4047 lbf	18.0 kn
MATERIAL	PE	
ITEM CODE	22660 20101	



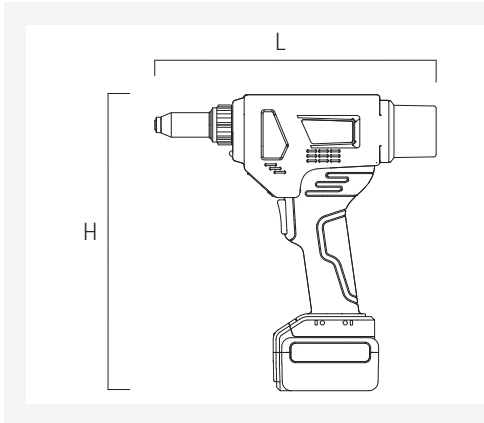
INCLUDED EQUIPMENT SET

NOSE PIECES	5/32", 3/16", 1/4" 3/16", 1/4" (Monobolt®)	4.0, 4.8, 6.4 mm 4.8, 6.4 mm (Monobolt®)
QUICK CHANGE BATTERY	Li-Ion 14.4 V / 1.4 Ah	
CHARGER	14.4 V Li-Ion	
ABS CASE	1.48" x 1.15" x .36"	45 x 35 x 11 cm

Subject to modifications



GO-BR2 LITHIUM-ION CORDLESS RIVET TOOL



RIVETING CAPACITY FOR BLIND RIVETS

ø 5/32" up to 1/4"
ø 4.0 up to 6.4 mm
All Materials



WEIGHT INCL. BATTERY	3.52 lbs	1.6 kg
L x H	10.19" x 9.84"	259 x 250 mm
STROKE (B / S)	(B = 1.02" / S = 0.71")	(B = 26 mm / S = 18 mm)
PULLING FORCE	4046 lbf	18.0 kn
MATERIAL	PE	
ITEM CODE	22770 10020	

INCLUDED EQUIPMENT SET



NOSE PIECES	5/32", 3/16", 1/4" 3/16", 1/4" (Monobolt®) 3/16", 1/4" (GO-Lock/Premium)	4.0, 4.8, 6.0, 6.4 mm 4.8, 6.4 mm (Monobolt®) 4.8, 6.4 mm (GO-Lock / Premium)
QUICK CHANGE BATTERY	Li-Ion 18 V / 2.0 Ah	
CHARGER	18 V Li-Ion	
ABS CASE	1.24" x 0.98" x .26"	38 x 30 x 8 cm



18V



BRUSHLESS MOTOR



GO-BR2 LITHIUM-ION CORDLESS RIVET TOOL



3.52 lbs

1 YEAR WARRANTY

WEAR SAFETY GLASSES

LIGHT DESIGN

COMPACT

LED LIGHT

LI-ION

DELIVERED WITH:



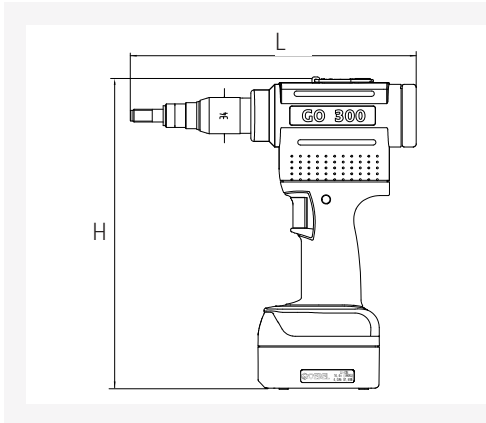
WATCH VIDEO HERE:



Subject to modifications



GO-300-UN - LITHIUM-ION CORDLESS RIVET NUT TOOL



RIVETING CAPACITY FOR BLIND RIVET NUTS

6-32 ~ 1/2-13UNC

All Materials

1/2-13UNC

Aluminum / Steel



WEIGHT	3.80 lbs	1.72 kg
L x H	10.55" x 11.22"	268 x 285 mm
STROKE	.32"	8 mm
PULLING FORCE	6070 lbf	27.0 kn
MATERIAL	PE	
ITEM CODE	22660 30102	



INCLUDED EQUIPMENT SET

MANDRELS & ANVILS	10-24 UNC, 10-32 UNF, 1/4-20 UNC, 5/16-18 UNC, 3/8-16 UNC, 1/2-13 UNC	
QUICK CHANGE BATTERY	14.4 V Li-Ion / 4.0 Ah / 57.6 Wh	
CHARGER	14.4 V Li-Ion	
ABS CASE	1.48" x 1.15" x .36"	45 x 35 x 11 cm



METRIC EQUIPMENT SET

MANDRELS & ANVILS	M5, M6, M8, M10, M12
ITEM CODE	22700 00218

OPTIONAL PARTS

MANDRELS AND ANVILS	6-32 ~ 1/2-13	M3 ~ M12
RIVBOLT PULLERS	6-32 ~ 5/16-18	M3 ~ M8

Subject to modifications



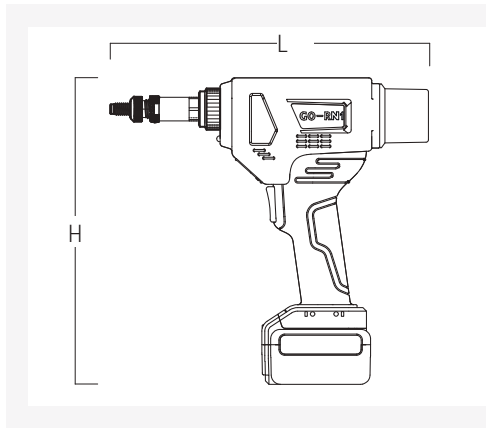
18V



BRUSHLESS MOTOR



GO-RN1 - LITHIUM-ION CORDLESS RIVET NUT TOOL



RIVETING CAPACITY FOR BLIND RIVET NUTS
6-32 ~ 5/16-18UNC
All Materials



WEIGHT	3.30 lbs	1.5 kg
L x H	10.62" x 10.23"	270 x 260 mm
STROKE ADJUSTABLE FROM / UP TO	.008" - .23"	0.2 - 6.0 mm
PULLING FORCE	4046 lbf	18.0 kn
MATERIAL		PE
ITEM CODE	22770 30010	



INCLUDED EQUIPMENT SET

MANDRELS & ANVILS	6-32UNC, 8-32UNC, 10-24UNC, 10-32UNF, 1/4-20UNC, 5/16-18UNC	
QUICK CHANGE BATTERY	18 V Li-Ion / 2.0 Ah / 36 Wh	
CHARGER	18 V Li-Ion	
ABS CASE	14.96" x 11.81" x 3.15"	38 x 30 x 8 cm



METRIC EQUIPMENT SET

MANDRELS & ANVILS	M3, M4, M5, M6, M8
ITEM CODE	2277039910

Subject to modifications



GO-RN1 - LITHIUM-ION CORDLESS RIVET NUT TOOL



DELIVERED WITH:



WATCH VIDEO HERE:





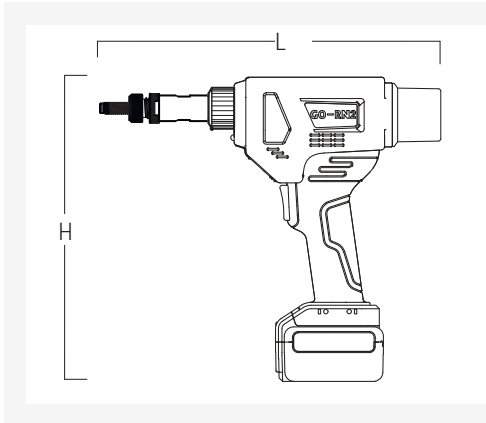
18V



BRUSHLESS MOTOR



GO-RN2 - LITHIUM-ION CORDLESS RIVET NUT TOOL



RIVETING CAPACITY FOR BLIND RIVET NUTS
10-24 ~ 1/2-13UNC
All Materials



WEIGHT	3.30 lbs	1.5 kg
L x H	11.49" x 10.23"	292 x 260 mm
STROKE ADJUSTABLE FROM / UP TO	.01" - .35"	0.3 - 9.0 mm
PULLING FORCE	6070 lbf	27.0 kn
MATERIAL	PE	
ITEM CODE	22770 30020	



INCLUDED EQUIPMENT SET

MANDRELS & ANVILS	10-24UNC, 10-32UNF, 1/4-20UNC, 5/16-18UNC, 3/8-16UNC, 1/2-13UNC	
QUICK CHANGE BATTERY	18 V Li-Ion / 2.0 Ah / 36 Wh	
CHARGER	18 V Li-Ion	
ABS CASE	14.96" x 11.81" x 3.15"	38 x 30 x 8 cm



METRIC EQUIPMENT SET

MANDRELS & ANVILS	M5, M6, M8, M10, M12
ITEM CODE	2277039920

Subject to modifications



GO-RN2 - LITHIUM-ION CORDLESS RIVET NUT TOOL



DELIVERED WITH:



WATCH VIDEO HERE:





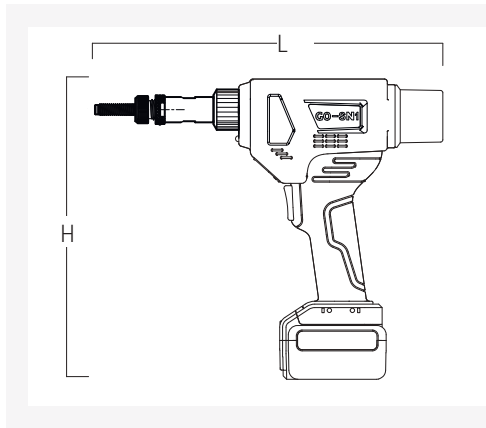
18V



BRUSHLESS MOTOR



GO-SN1 - LITHIUM-ION CORDLESS RIVET NUT TOOL



RIVETING CAPACITY FOR BLIND RIVET NUTS
10-24 ~ 3/8-16UNC
All Materials



WEIGHT	3.52 lbs	1.6 kg
L x H	11.89" x 10.23"	302 x 260 mm
STROKE ADJUSTABLE FROM / UP TO	.15" - .61"	4.0 - 15.6 mm
PULLING FORCE	4721 lbf	21.0 kn
MATERIAL		PE
ITEM CODE	22770 50010	



INCLUDED EQUIPMENT SET

MANDRELS & ANVILS	10-24UNC, 10-32UNF, 1/4-20UNC, 5/16-18UNC, 3/8-16UNC	
QUICK CHANGE BATTERY	18 V Li-Ion / 2.0 Ah / 36 Wh	
CHARGER	18 V Li-Ion	
ABS CASE	14.96" x 11.81" x 3.15"	38 x 30 x 8 cm



METRIC EQUIPMENT SET

MANDRELS & ANVILS	M5, M6, M8, M10
ITEM CODE	2277059910

Subject to modifications



GO-SN1 - LITHIUM-ION CORDLESS RIVET NUT TOOL



DELIVERED WITH:

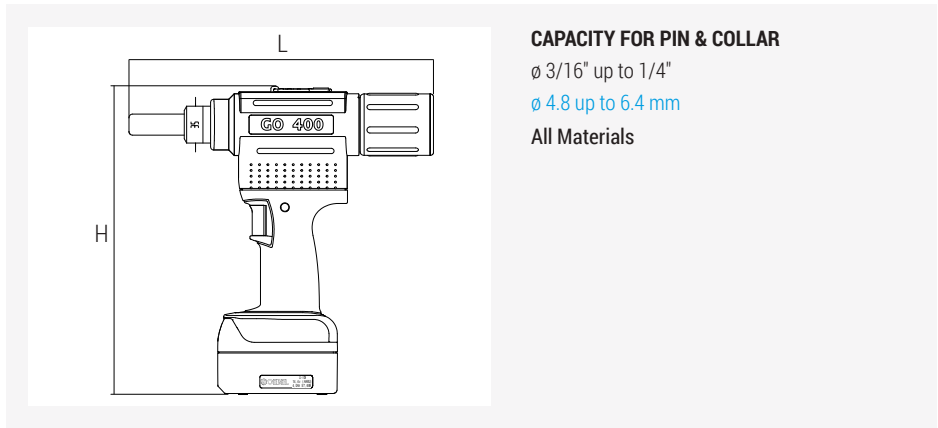


WATCH VIDEO HERE:





GO-400 - LITHIUM-ION CORDLESS TOOL FOR PIN & COLLAR



CAPACITY FOR PIN & COLLAR
 ø 3/16" up to 1/4"
 ø 4.8 up to 6.4 mm
 All Materials



WEIGHT	3.70 lbs	1.68 kg
L x H	11.42" x 11.22"	290 x 285 mm
STROKE	.83"	21 mm
PULLING FORCE	4500 lbf	20.0 kn
MATERIAL	PE	
ITEM CODE	22660 40102	



INCLUDED EQUIPMENT SET

NOSE PIECES (*ACCORDING "C6L"-STANDARD)	1/4"	6.4 mm
QUICK CHANGE BATTERY	14.4 V Li-Ion / 4.0 Ah / 57.6 Wh	
CHARGER	14.4 V Li-Ion	
ABS CASE	1.48" x 1.15" x .36"	45 x 35 x 11 cm



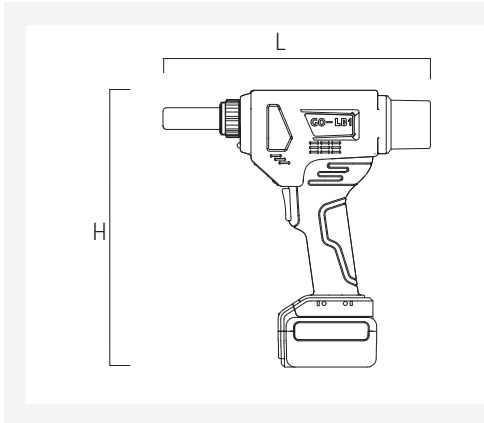
OPTIONAL PARTS

NOSE ASSEMBLY (*ACCORDING "C6L"-STANDARD)	3/16"	4.8 mm
ITEM CODE	2266000110	
NOSE ASSEMBLY (*ACCORDING "MULTI-GRIP"-STANDARD)	3/16"	4.8 mm
ITEM CODE	2266000109	
NOSE ASSEMBLY (*ACCORDING "MULTI-GRIP"-STANDARD)	1/4"	6.4 mm
ITEM CODE	2266000108	

Subject to modifications



GO-LB1 - LITHIUM-ION CORDLESS TOOL FOR PIN & COLLAR



CAPACITY FOR PIN & COLLAR

ø 3/16" up to 1/4"
ø 4.8 up to 6.4 mm
All Materials



Table with specifications: WEIGHT (3.30 lbs / 1.5 kg), L x H (9.65" x 10.24" / 245 x 260 mm), STROKE (.62" / 16 mm), PULLING FORCE (5170 lbf / 23.0 kn), MATERIAL (PE), ITEM CODE (22770 40010)



INCLUDED EQUIPMENT SET

Table listing included equipment: QUICK CHANGE BATTERY (18 V Li-Ion / 2.0 Ah / 36 Wh), CHARGER (18 V Li-Ion), ABS CASE (1.24" x 0.98" x .26" / 38 x 30 x 8 cm)



OPTIONAL PARTS

Table listing optional parts: NOSE ASSEMBLY (3/16" / 4.8 mm), NOSE ASSEMBLY (1/4" / 6.4 mm), NOSE ASSEMBLY (3/16" / 4.8 mm), NOSE ASSEMBLY (1/4" / 6.4 mm)



40 YEARS QUALITY

18V



BRUSHLESS MOTOR



GO-LB1 - LITHIUM-ION CORDLESS LOCKBOLT TOOL



DELIVERED WITH:



*Nose Assemblies Sold Separately

Multi Lockbolt: Ø 3/16" & 1/4"



Lockbolt with 6 grooves: Ø 3/16" & 1/4"



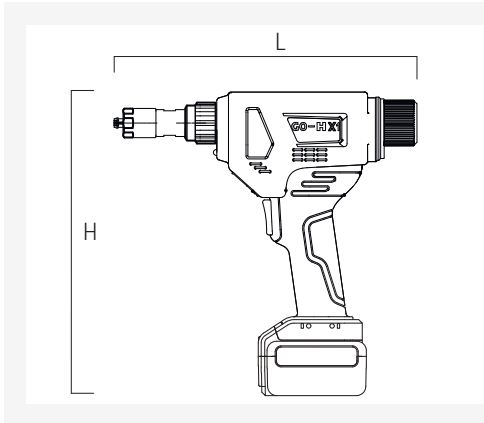
WATCH VIDEO HERE:



Subject to modifications



GO-HX1 - LITHIUM-ION CORDLESS HEX CUTTER TOOL



RIVETING CAPACITY FOR BLIND RIVET NUTS
10-24 ~ 3/8-16UNC
All Materials



WEIGHT INCL. BATTERY	3.30 lbs	1.5 kg
L x H	10.43" x 10.24"	265 x 260 mm
STROKE	.79"	20 mm
PULLING FORCE	3600 lbf	16.0 kn
MATERIAL		PE
ITEM CODE		22770 60010



INCLUDED EQUIPMENT SET

*Nose Assemblies Sold Separately

QUICK CHANGE BATTERY		Li-Ion 18 V / 2.0 Ah
CHARGER		18 V Li-Ion
ABS CASE	1.24" x 0.98" x .26"	38 x 30 x 8 cm

PROCESS



1. 2.



GO-NUT



GO-NUT

3.

	AL	ST	SS
M5	≤ 2,5mm	≤ 1,5mm	≤ 1,5mm
10-24UNC/10-32UNF	≤ 0,1"	≤ 0,06"	≤ 0,06"
M6	≤ 5mm	≤ 3mm	≤ 2,0mm
1/4-20UNC	≤ 0,2"	≤ 0,12"	≤ 0,08"
M8	≤ 5mm	≤ 3mm	≤ 2,0mm
5/16-18UNC	≤ 0,2"	≤ 0,12"	≤ 0,08"
M10	≤ 5mm	≤ 3mm	≤ 2,0mm
3/8-16UNC	≤ 0,2"	≤ 0,12"	≤ 0,08"



40 YEARS QUALITY

18V



BRUSHLESS MOTOR



GO-HX1 - LITHIUM-ION CORDLESS RIVET NUT TOOL



1 Hex-hole cutter

2 LED Light for better visibilit of work area

3 Trigger

4 Slide-in battery (18V Li-ION 2,0 Ah / 36 Wh) with capacity indicator

GO-HX1

7 Protective housing of the underlying spring cover and mandrel

6 Brushless motor with high durability

5 Robust housing with ergonomic soft grip design

3.30 lbs



DELIVERED WITH:



2x

*Nose Assemblies Sold Separately



Front Sleeve Set: 10-24 ~ 3/8-16UNC



Core Rod: 1x

WATCH VIDEO HERE:



Subject to modifications